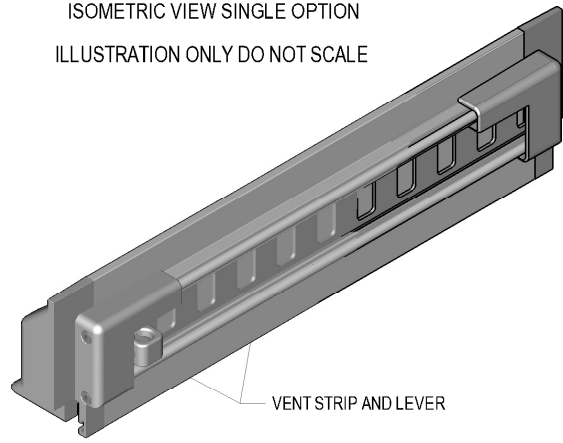
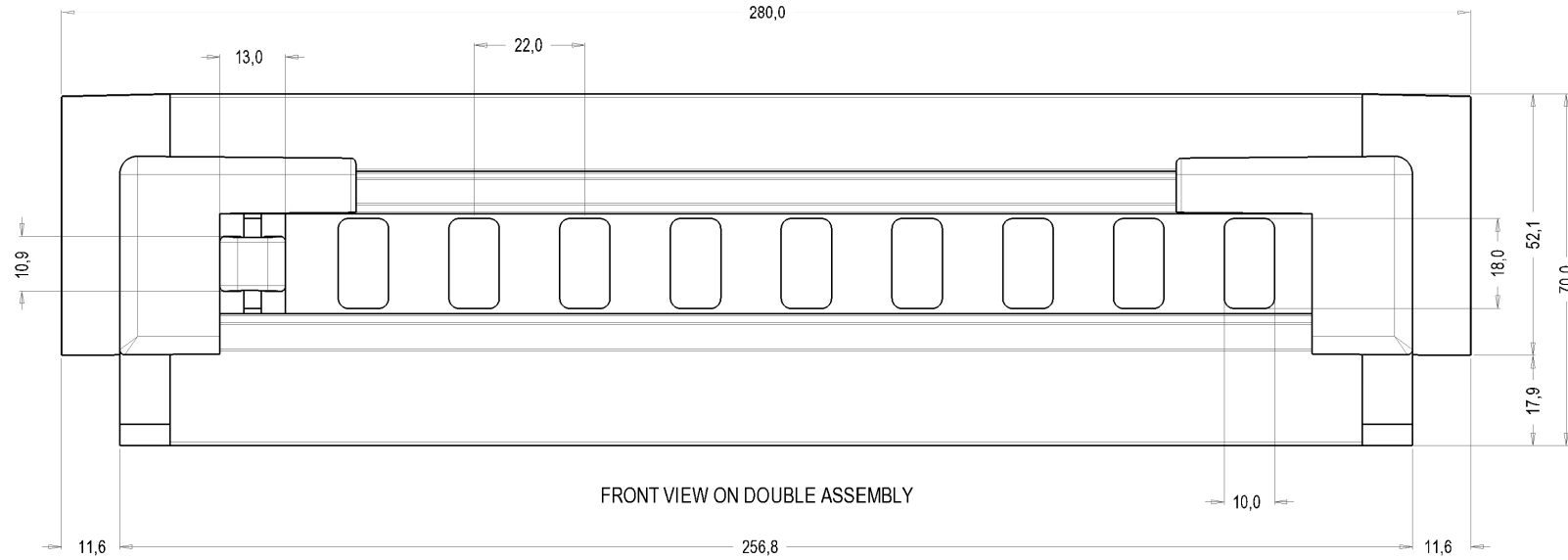


ISOMETRIC VIEW SINGLE OPTION  
ILLUSTRATION ONLY DO NOT SCALE



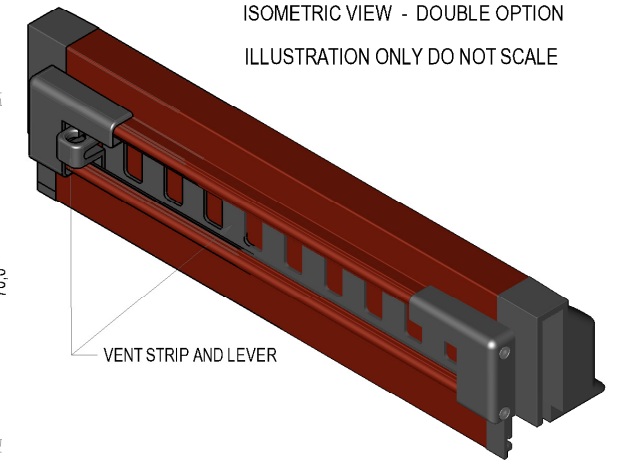
VENT STRIP AND LEVER

LENGTH TO SUIT REQUIREMENTS  
280,0

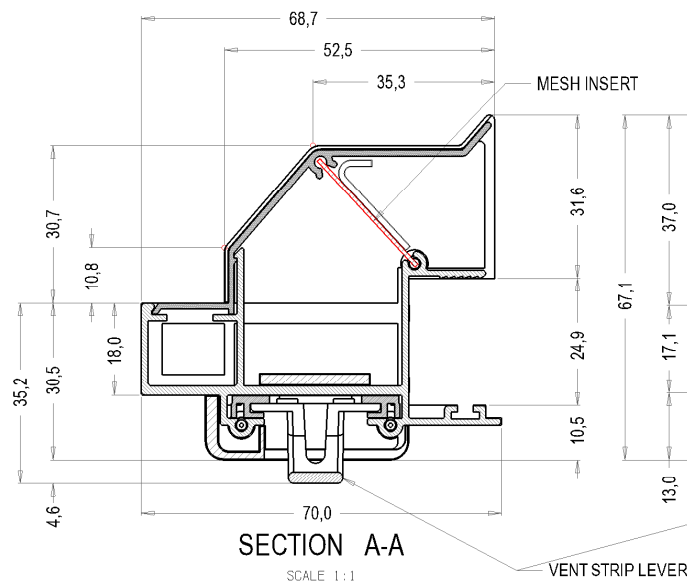


FRONT VIEW ON DOUBLE ASSEMBLY

ISOMETRIC VIEW - DOUBLE OPTION  
ILLUSTRATION ONLY DO NOT SCALE



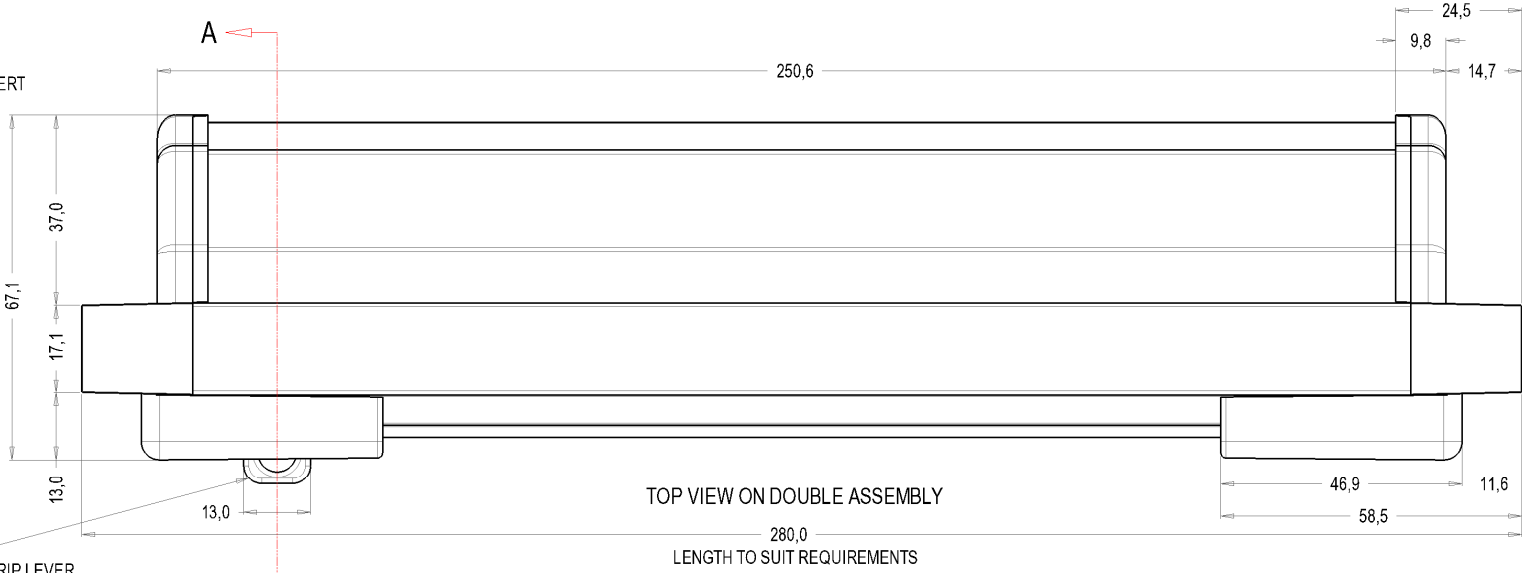
VENT STRIP AND LEVER



SECTION A-A  
SCALE 1:1

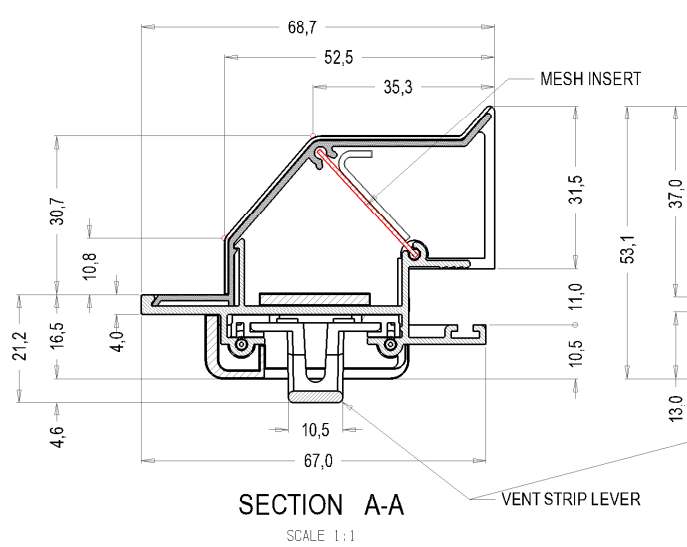
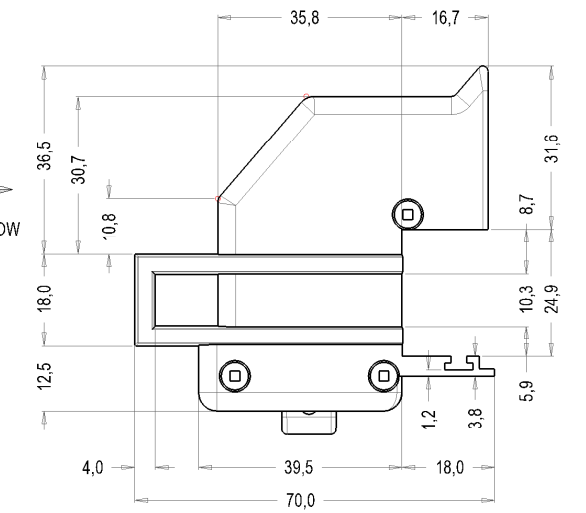
MESH INSERT

VENT STRIP LEVER



TOP VIEW ON DOUBLE ASSEMBLY  
LENGTH TO SUIT REQUIREMENTS

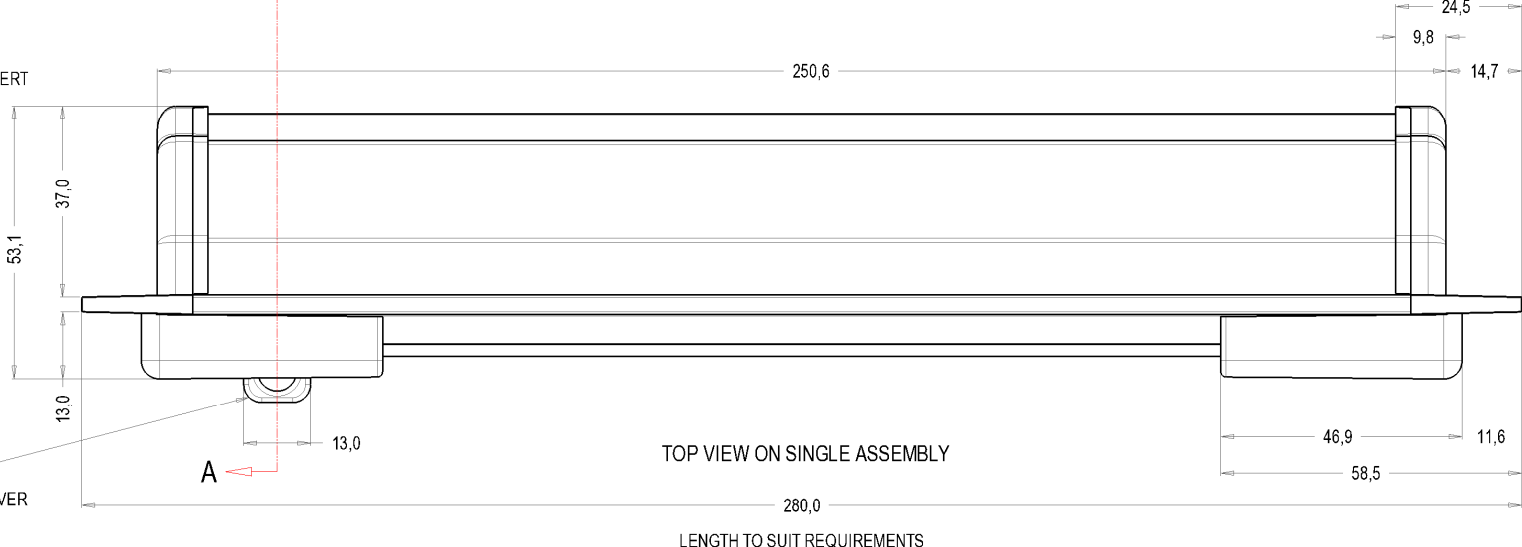
VIEW ON ARROW



SECTION A-A  
SCALE 1:1

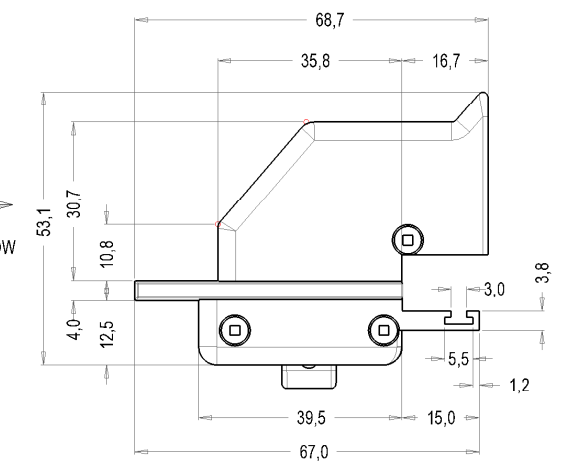
MESH INSERT

VENT STRIP LEVER



TOP VIEW ON SINGLE ASSEMBLY  
LENGTH TO SUIT REQUIREMENTS

VIEW ON ARROW



TITLE JOINERY DEVELOPMENTS LTD & EASYAIR LTD  
UNIT 1, 21 POLAND ROAD, GLENFIELD, AUCKLAND phone (09) 443 0038  
EASYAIR WINDOW VENTILATOR - SINGLE AND DOUBLE ASSEMBLIES

DRAWING SCALE FULL SIZE

TOLERANCES (UNLESS NOTED OTHERWISE)  
ANGULAR ±0.25°  
DIMENSIONS ±0.10  
DIMENSIONS IN MILLIMETERS

DRAWN: COLIN SHINKFIELD DATE 06.08.09  
APPROVED: DATE  
FILE PATH: CKD\JOINERY DEVELOPMENTS\WINDOW VENT\EASYAIR.CKD

REV	CHANGE	DATE	ISSUE
			A

DRAWING No. CS-JDL-00809-1  
SHEET No. 1 OF 1  
PAPER A2